

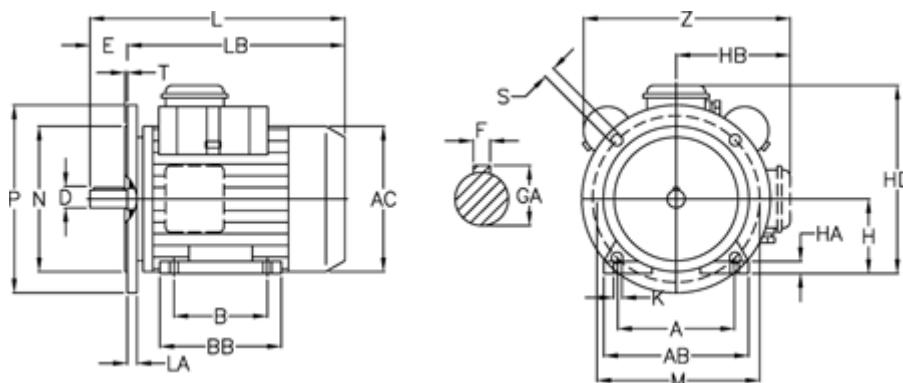
Data Sheet



Article number: 25025267002

Description: ICME Single-phase motor MD 63 B2 0,25KW
2 - 2800 rpm 1x230 Volt 50Hz B3/B5 with starting & running capacitor

Measures



A = 100	H = 63	N = 95
AB = 126	HA = 10	P = 140
AC = 124	HB = 98	S = 9.5
B = 80	K = 7	T = 3
D = 11	L = 241	Z = 170
E = 23	LA = 10	
F = 4	LB = -	
GA = 12.5	M = 115	